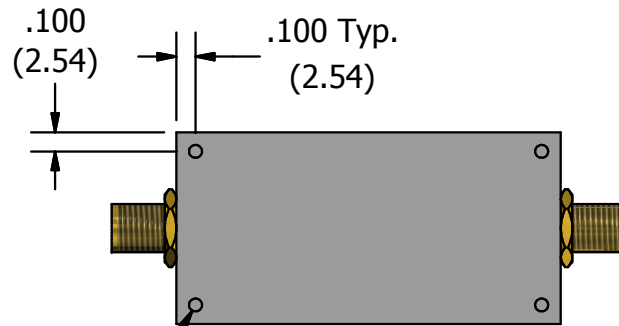
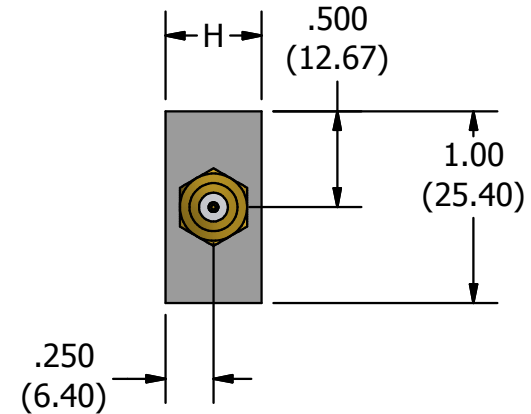


Case No.	H
65A	.500 (12.70)
65B	.750 (19.05)




2-56 UNC - 2B
6 Threads Min. DP, 4X



Notes:

- Input and Output are not marked as the filter is bi-directional
- 65A: Female SMA connectors, standard
- 65B: Female BNC connectors, standard
- Optional Configurations
 - 65AMF: SMA Male:Female
 - 65AMM: SMA Male:Male
 - 65BMF: BNC Male:Female
 - 65BMM: BNC Male:Male
- Material: Aluminum
- Dimensions: inches (mm)
- Finish Fused tin plate over copper plate per Mil-C-14550
- Do no scale drawing

CAGE CODE	DRAWING #	LTR	REVISION	BY	DATE	Unless otherwise specified dimensions are in inches. Tolerances on XX ± .010 XXX ± .010 XXXX ± .010 Angles ± Fractions ±	This drawing or specification is the property of TTE LLC. Copies shall not be reproduced or copied or used as the basis for the manufacture or sale of apparatus without permission.	
07766	OL 65 A B	1	Combines DWG's 65A & 65B	RF	1/13/09			
Description		Case 65 A/B						
DRAWN BY	JE	Approved By	ENG	QA	MFG			
	5/28/14							11652 West Olympic Blvd. Los Angeles, Ca 90064-1400 Phone Number: (310) 478-8224 Website: www.tte.com