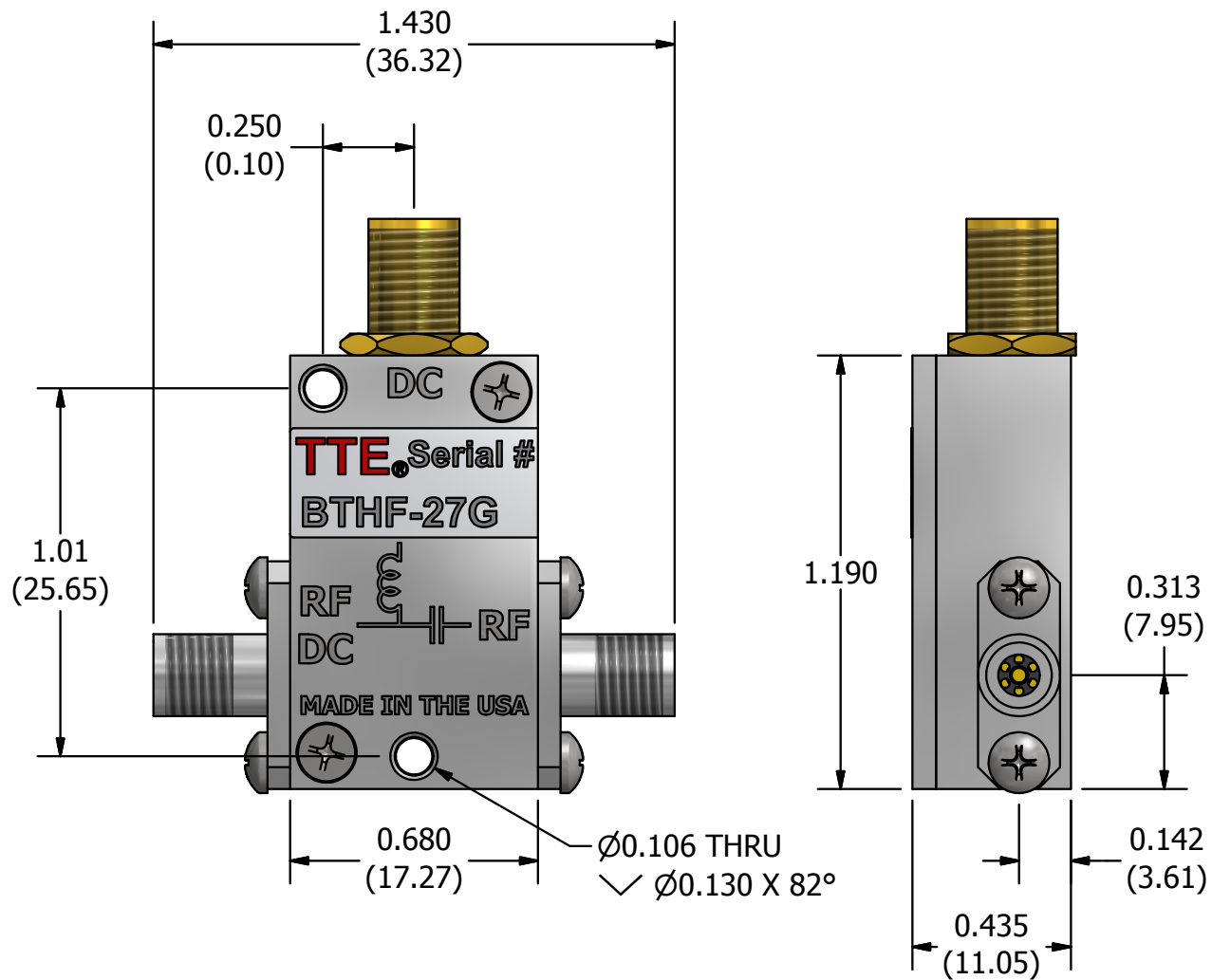


Notes:


- Material: Aluminum
- Dimensions: inches (mm)
- Finish: Fused tin plate over copper plate per Mil-C-14550
- Drawing not to scale

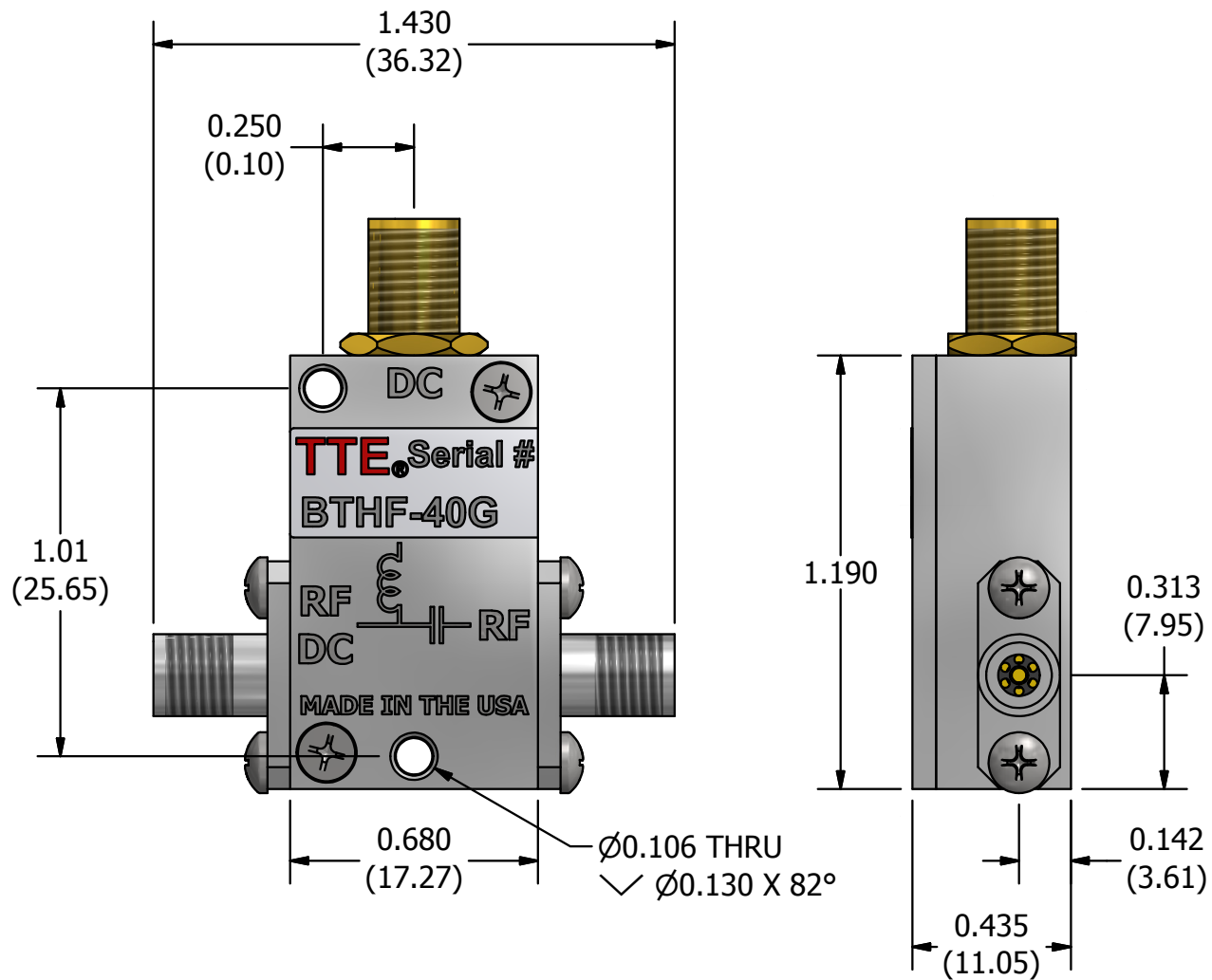
DRAWING #	LTR	REVISION	BY	DATE	Unless otherwise specified dimensions are in inches. Tolerances on	This drawing or specification is the property of TTE LLC. Copies shall not be reproduced or copied or used as the basis for the manufacture or sale of apparatus without permission.	TTE	
		Issue	JE	4/29/15				
Description		BTHC-4G - Dimensional Specification				XX ± .010 (0.25) XXX ± .005 (0.13) XXXX ± .002 (0.05) Angles ± Fractions ±	11652 West Olympic Blvd. Los Angeles, Ca 90064-1400	Phone Number: (310) 478-8224 Website: www.tte.com Cage Code: 07766
DRAWN BY	JE	Approved By	JE	KH	CB			



Notes:


- Case Material: Aluminum
- Case Finish: Silver
- Dimensions: inches (mm)
- Drawing not to scale

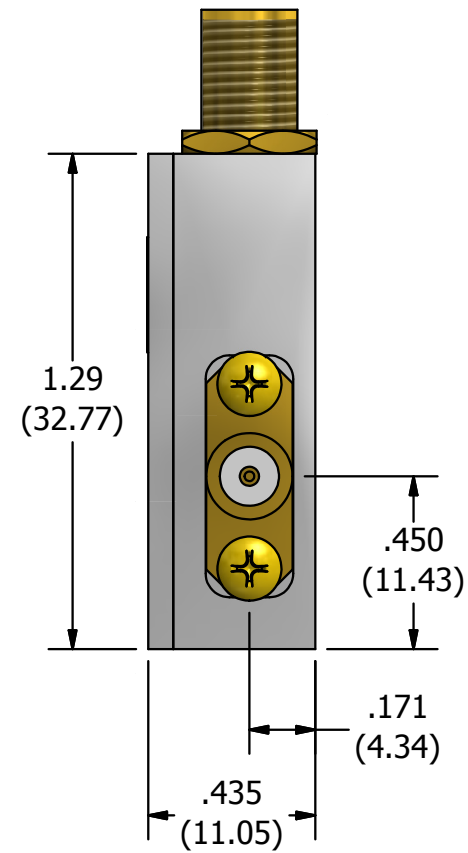
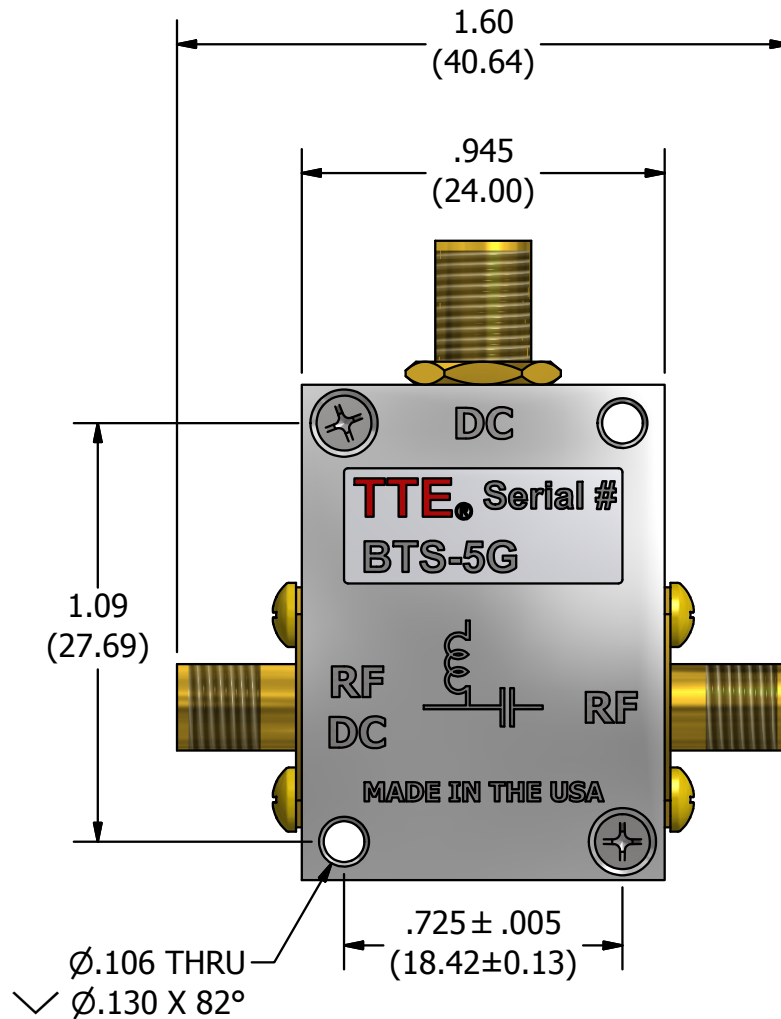
DRAWING #	LTR	REVISION	BY	DATE	Unless otherwise specified dimensions are in inches. Tolerances on	This drawing or specification is the property of TTE LLC. Copies shall not be reproduced or copied or used as the basis for the manufacture or sale of apparatus without permission.		
		Issue	JE	5/4/15				
Description		BTHF-27G - Dimensional Specification			XX ± .010 (0.25)	11652 West Olympic Blvd. Los Angeles, Ca 90064-1400	Phone Number: (310) 478-8224 Website: www.tte.com Cage Code: 07766	
DRAWN BY	JE	Approved By	JE	KH	CB			XX ± .005 (0.13)
	5/4/15		ENG	QA	MFG			XXXX ± .002 (0.05)
						Angles ±		
						Fractions ±		



Notes:

- Case Material: Aluminum
- Case Finish: Silver
- Dimensions: inches (mm)
- Drawing not to scale

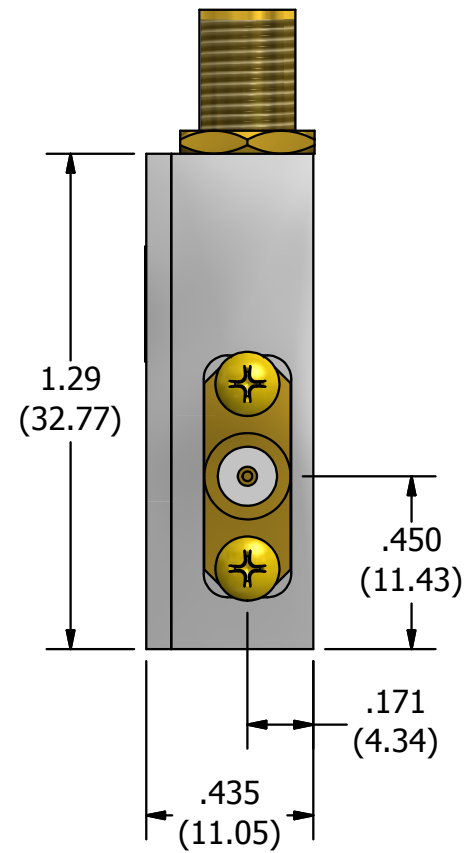
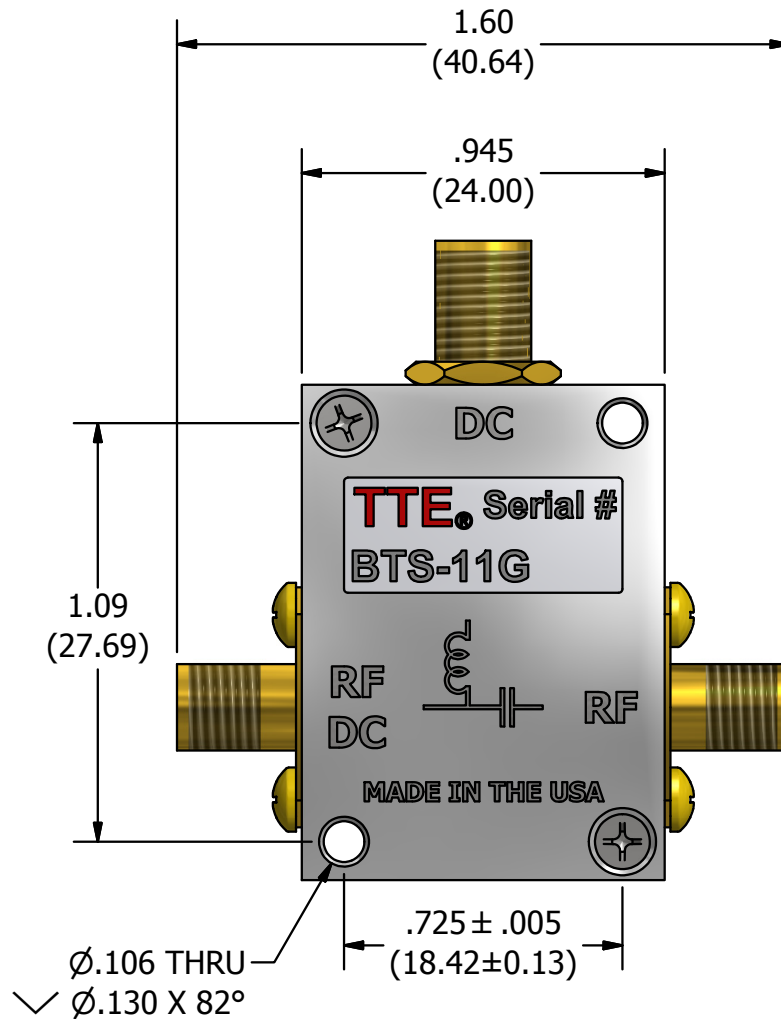
DRAWING #	LTR	REVISION	BY	DATE	Unless otherwise specified dimensions are in inches. Tolerances on	This drawing or specification is the property of TTE LLC. Copies shall not be reproduced or copied or used as the basis for the manufacture or sale of apparatus without permission.		
		Issue	JE	5/4/15				
Description		BTHF-40G - Dimensional Specification			XX ± .010 (0.25)	11652 West Olympic Blvd. Los Angeles, Ca 90064-1400	Phone Number: (310) 478-8224 Website: www.tte.com Cage Code: 07766	
DRAWN BY	JE	Approved By	JE	KH	CB			XX ± .005 (0.13)
	5/4/15		ENG	QA	MFG			XXXX ± .002 (0.05)
						Angles ±		
						Fractions ±		



Notes:

- Material: Aluminum
- Dimensions: inches (mm)
- Finish: Fused tin plate over copper plate per Mil-C-14550
- Drawing not to scale

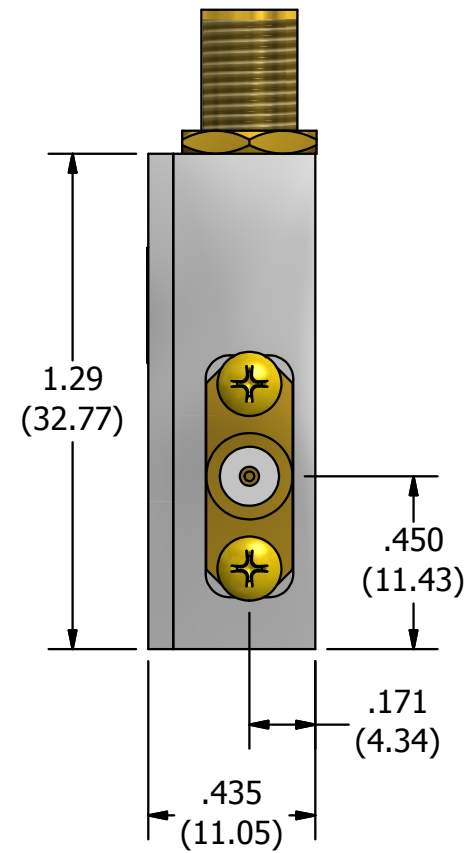
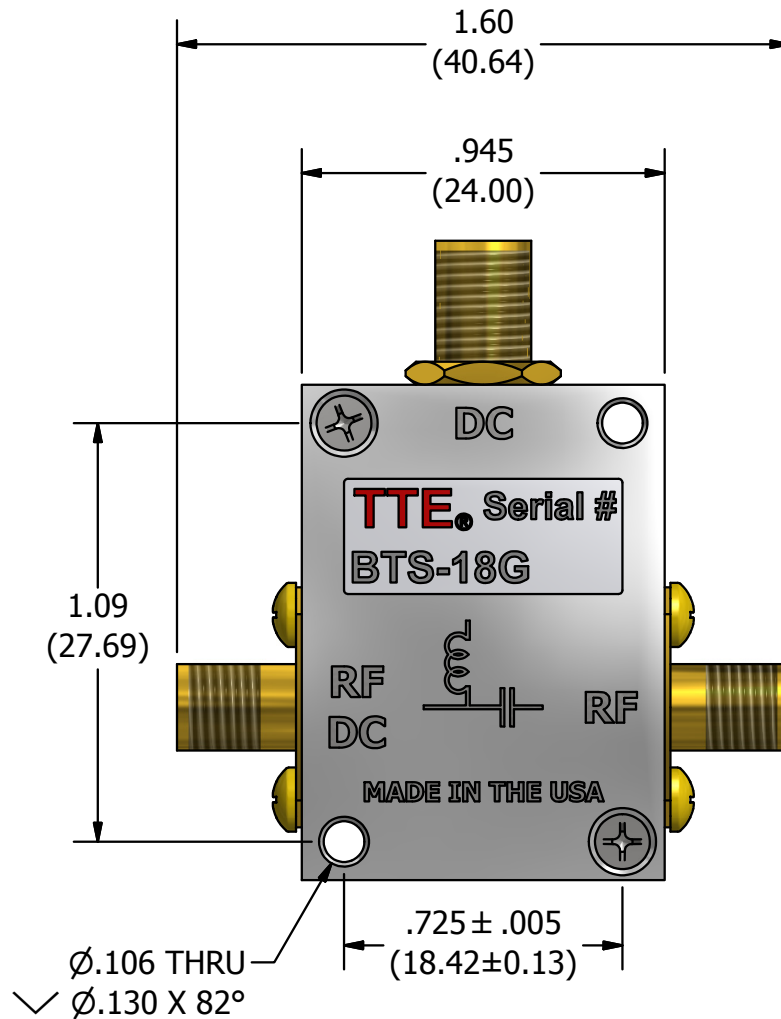
DRAWING #	LTR	REVISION	BY	DATE	Unless otherwise specified dimensions are in inches. Tolerances on	This drawing or specification is the property of TTE LLC. Copies shall not be reproduced or copied or used as the basis for the manufacture or sale of apparatus without permission.	TTE	
		Issue	JE	4/29/15				
Description		BTS-5G - Dimensional Specification				XX ± .010 (0.25) XXX ± .005 (0.13) XXXX ± .002 (0.05) Angles ± Fractions ±	11652 West Olympic Blvd. Los Angeles, Ca 90064-1400	Phone Number: (310) 478-8224 Website: www.tte.com Cage Code: 07766
DRAWN BY	JE	Approved By	JE	KH	CB			



Notes:

- Material: Aluminum
- Dimensions: inches (mm)
- Finish: Fused tin plate over copper plate per Mil-C-14550
- Drawing not to scale

DRAWING #	LTR	REVISION	BY	DATE	Unless otherwise specified dimensions are in inches. Tolerances on	This drawing or specification is the property of TTE LLC. Copies shall not be reproduced or copied or used as the basis for the manufacture or sale of apparatus without permission.	TTE	
		Issue	JE	4/29/15				
Description		BTS-11G - Dimensional Specification				XX ± .010 (0.25) XXX ± .005 (0.13) XXXX ± .002 (0.05) Angles ± Fractions ±	11652 West Olympic Blvd. Los Angeles, Ca 90064-1400	Phone Number: (310) 478-8224 Website: www.tte.com Cage Code: 07766
DRAWN BY	JE	Approved By	JE	KH	CB			



Notes:

- Material: Aluminum
- Dimensions: inches (mm)
- Finish: Fused tin plate over copper plate per Mil-C-14550
- Drawing not to scale

DRAWING #	LTR	REVISION	BY	DATE	Unless otherwise specified dimensions are in inches. Tolerances on	This drawing or specification is the property of TTE LLC. Copies shall not be reproduced or copied or used as the basis for the manufacture or sale of apparatus without permission.	TTE	
		Issue	JE	4/29/15				
Description		BTS-18G - Dimensional Specification				XX ± .010 (0.25) XXX ± .005 (0.13) XXXX ± .002 (0.05) Angles ± Fractions ±	11652 West Olympic Blvd. Los Angeles, Ca 90064-1400	Phone Number: (310) 478-8224 Website: www.tte.com Cage Code: 07766
DRAWN BY	JE	Approved By	JE	KH	CB			