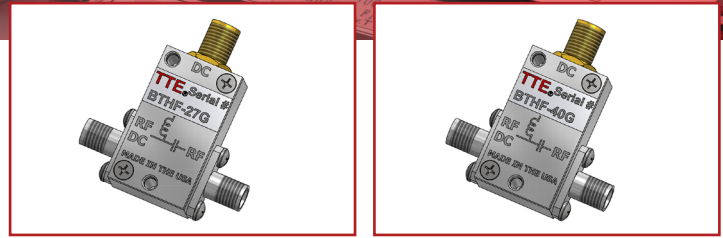


BTHF Series



Broadband, Connectorized
Frequency Range 10 MHz to 40 GHz
Application-Specific Designs

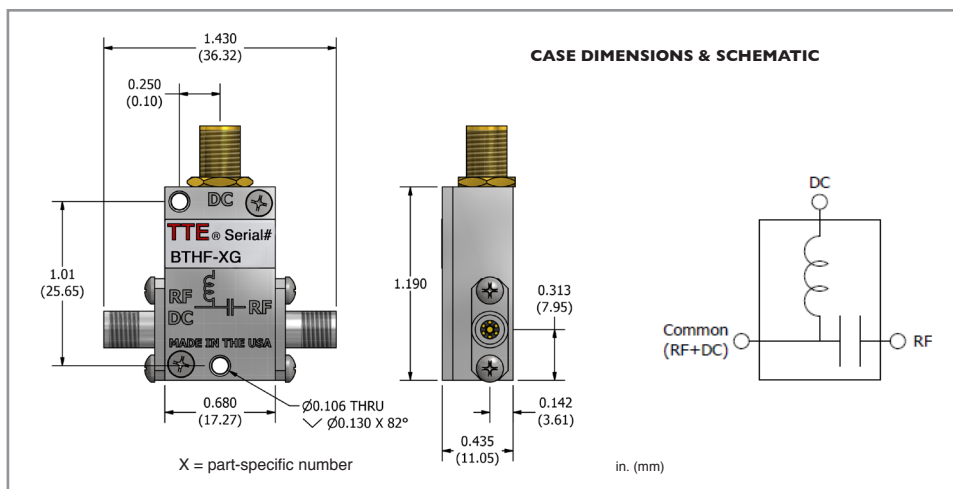


PART NUMBER	INSERTION LOSS (dB)		DC PORT ISOLATION (dB)		RETURN LOSS (dB)		VSWR		DC CURRENT (mA) MAX	DC VOLTAGE (V DC) MAX	DC RESISTANCE (mΩ) MAX
	TYP	MAX	MIN	TYP	MIN	TYP	MIN	TYP			
FREQUENCY RANGE: 10 MHz - 27.5 GHz											
BTHF*-27G	1.3	1.5	25	30	15	20	1.5:1	1.2:1	500	50	265
FREQUENCY RANGE: 10 MHz - 40 GHz											
BTHF*-40G	2.5	3.0	25	30	12	15	1.7:1	1.5:1	250	50	565

Note: TTE's products are made in the USA. Application-specific designs are made to order. Typical delivery is 2-3 weeks. Expedited lead time of 3-5 days is available on many products.

***For RoHS compliant, insert "R" in place of asterisk. Example: BTHFR-27G**

TTE designates a component RoHS-compliant by adding "R" (RoHS) within the part number. These RoHS components meet the $\leq 0.1\%$ lead requirement.



NOTES:

- High frequency design to 40 GHz
- Superior broadband performance achieved with high-quality components and manufacturing processes
- Very low insertion loss for entire bandwidth (< 3dB)
- Minimal return loss and VSWR characteristics across frequency range
- Matched to 50Ω and measured in a 50Ω test set-up
- Extremely flat gain response (no "suck-out") over frequency range
- Provided with connectors:
 SMA female for BTHF-27G
 2.92mm female for BTHF-40G
 Contact factory for additional options
- Operating temperature range:
 -55°C to +100°C