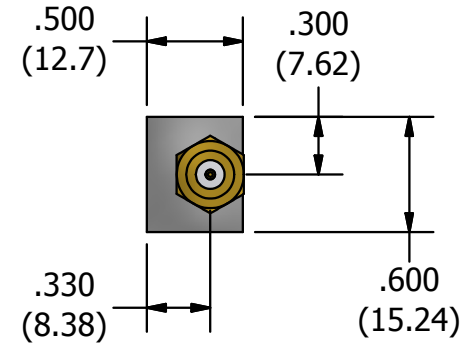
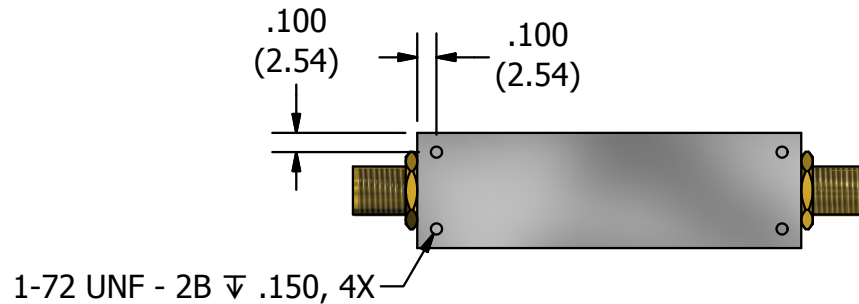



Case No.	L
1065A	1.00"
1265A	1.20"
1565A	1.50"
1765A	1.70"
2065A	2.00"
3065A	3.00"
4065A	4.00"



Notes:

- Material: Aluminum
- Terminal Marking: None as the filter is bi-directional
- Dimensions: inches (mm)
- Finish: Fused tin plate over copper
- Do no scale drawing

CAGE CODE	DRAWING #	LTR	REVISION	BY	DATE	Unless otherwise specified dimensions are in inches. Tolerances on XX ± .030 XXX ± .030 XXXX ± .030 Angles ± Fractions ±	This drawing or specification is the property of TTE LLC. Copies shall not be reproduced or copied or used as the basis for the manufacture or sale of apparatus without permission.	
07766	OL XX65A							
Description		Case XX65A						
DRAWN BY	JE	Approved By	ENG	QA	MFG			
	5/28/14							11652 West Olympic Blvd. Los Angeles, Ca 90064-1400
								Phone Number: (310) 478-8224 Website: www.tte.com