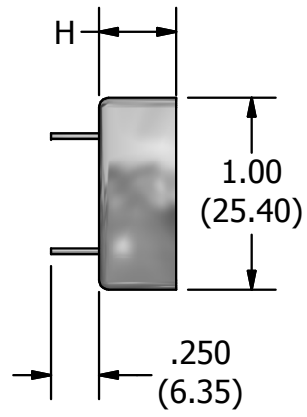


Case No.	H
1334	.400 (10.16)
1335	.500 (12.70)



Notes:

- At cut-off frequencies and center frequencies < 300kHz and when the filter impedance is >300Ω the case pin and common pin are isolated.
- When the frequency is >300kHz or the filter impedance in <300Ω the case and common pins are connected internally and are a common-case connection.
- Material: Cold Rolled Steel
- Dimensions: inches (mm)
- Finish: Fused tin plate over copper plate per Mil-C-14550
- Do Not Scale Drawing

CAGE CODE	DRAWING #	LTR	REVISION	BY	DATE	Unless otherwise specified dimensions are in inches. Tolerances on XX ± .010 XXX ± .010 XXXX ± .010 Angles ± Fractions ±	This drawing or specification is the property of TTE LLC. Copies shall not be reproduced or copied or used as the basis for the manufacture or sale of apparatus without permission.	<b>TTE</b>	
07766	OL 1334 & 1335	1	Combines Dwgs 1234 & 1334	RF	12/17/08				
Description		Case 1334 and 1335					11652 West Olympic Blvd. Los Angeles, Ca 90064-1400		Phone Number: (310) 478-8224 Website: www.tte.com
DRAWN BY	JE	Approved By	ENG	QA	MFG				