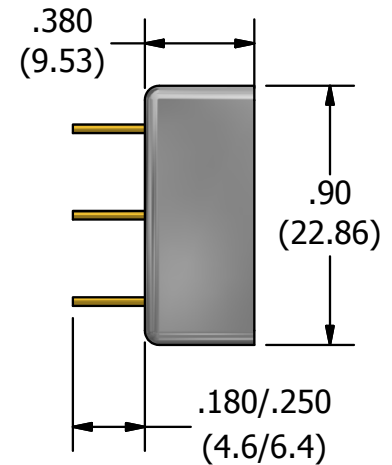
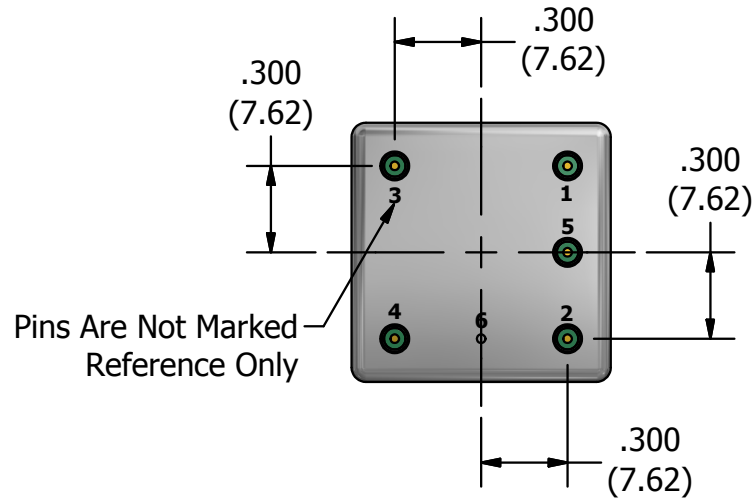


**Transformer Connections:**

- 1 Primary Signal
- 2 Primary Return
- 3 Secondary Signal
- 4 Secondary Return
- 5 Center Tap
- 6 Case



**Notes:**

- Material: Aluminum
- Finish: Fused tin plate over copper plate per Mil-C-14550
- Dimensions: inches (mm)
- Do Not Scale Drawing

CAGE CODE	DRAWING #	LTR	REVISION	BY	DATE	Unless otherwise specified dimensions are in inches. Tolerances on XX ± .010 XXX ± .010 XXXX ± .010 Angles ± Fractions ±	This drawing or specification is the property of TTE LLC. Copies shall not be reproduced or copied or used as the basis for the manufacture or sale of apparatus without permission.	
07766	OL 1079							
Description		Case 1079						
DRAWN BY	JE	Approved By	ENG	QA	MFG			
	5/27/14							11652 West Olympic Blvd. Los Angeles, Ca 90064-1400
								Phone Number: (310) 478-8224 Website: www.tte.com